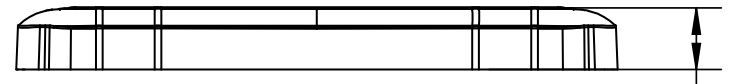
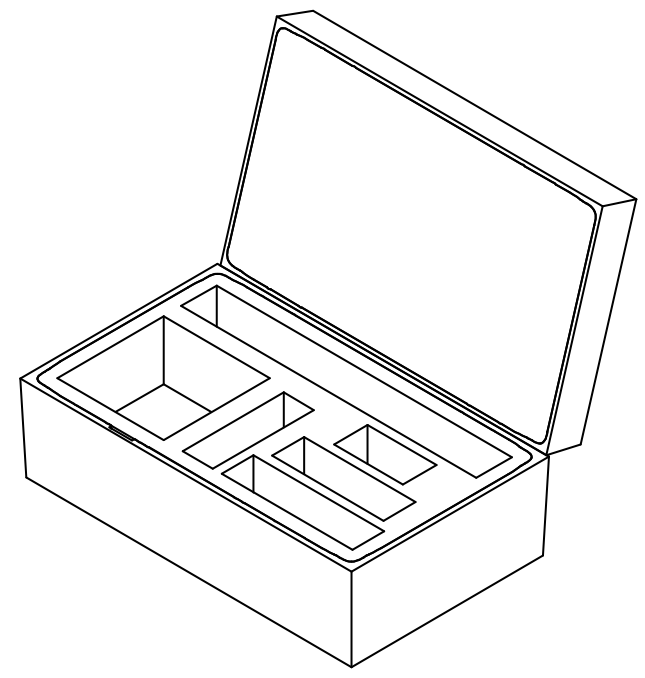
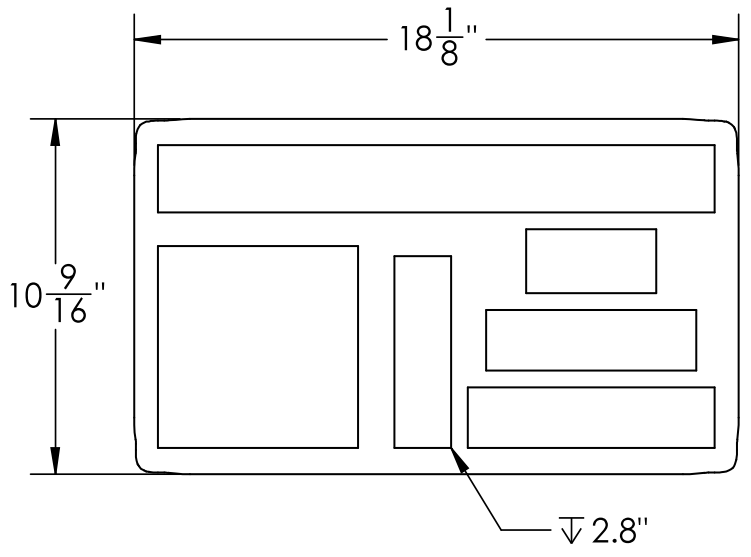
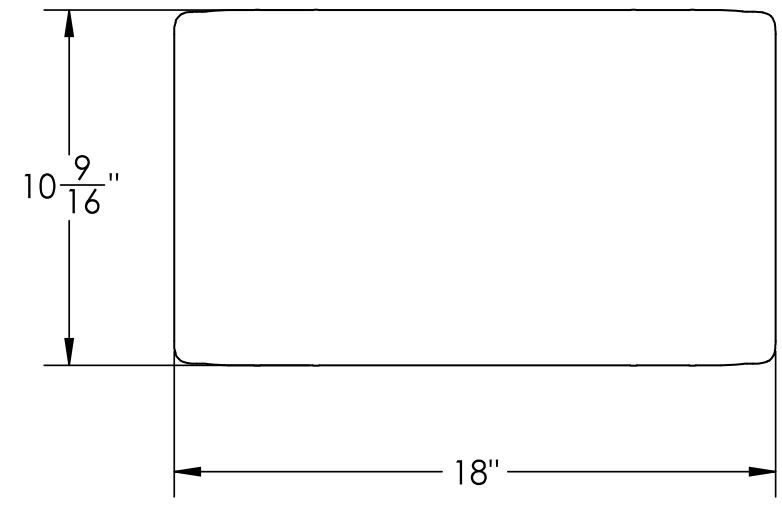
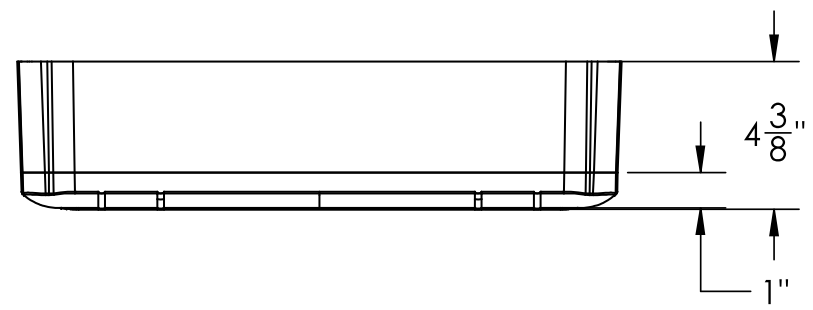


NOTES:

1. CASE: Pelican 1485 AIR
2. FOAM: 701 URETHANE
3. LID FOAM CONVOLUTE 1.75" / 0.5"
4. ALL DEPTHS 3.3" UNLESS SPECIFIED
5. BEVEL TO FIT
6. GLUE IN CASE
7. NO GLUE TO SHOW



$1\frac{13}{16}$ "



CUSTOMER:	AcoustX	DRAWN	NAME	DATE
TP PART NUMBER:	AcoustX 1485	REV:A	KE	6/4/2019
CUSTOMER #/DESC:	1485 with Foam		SCALE 1:6	SHEET 1 OF 1